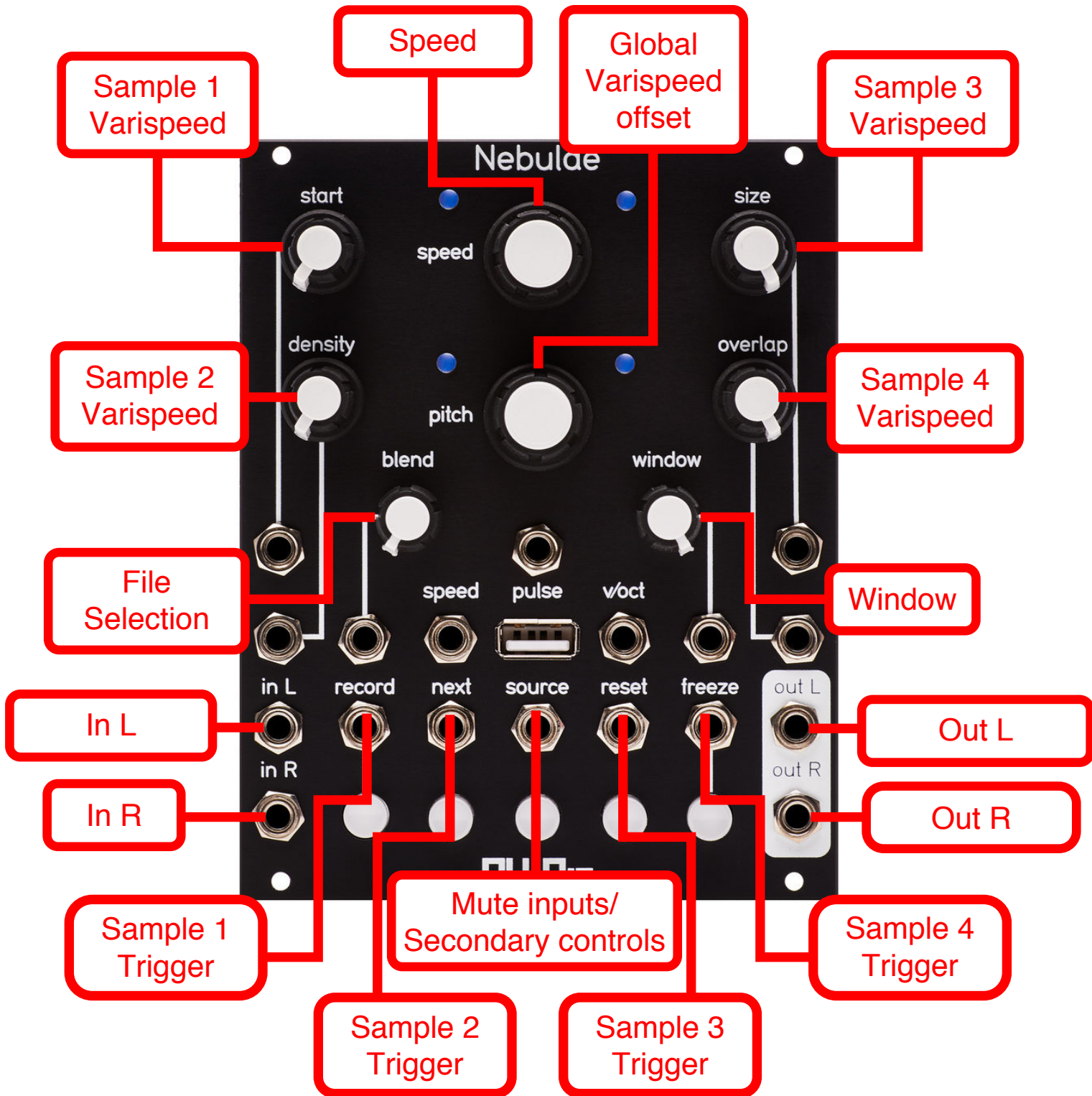


One shot

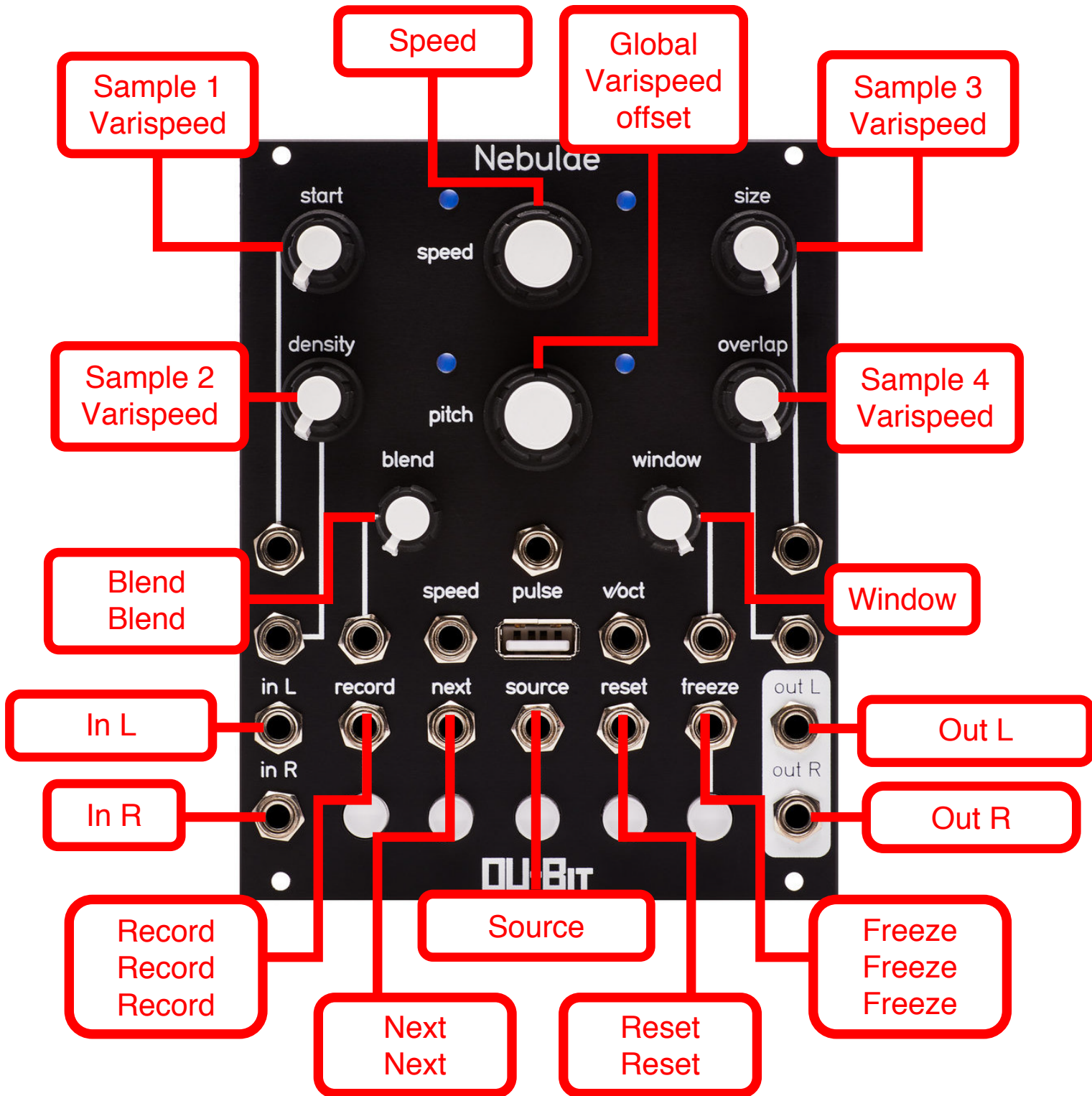
Polyphonic Sample Player For QuBit Nebulae v.2 - By Stephen Hensley



This instrument allows simultaneous playback of four samples at a time. Each sample has its own pitch control and trigger input. Blend is the offset for file selection: when fully CCW the first four samples loaded on the Nebulae will be played, when fully CW the last four samples will be played.

Secondary controls

Polyphonic Sample Player
For QuBit Nebulae v.2 - By Stephen Hensley



This instrument allows simultaneous playback of four samples at a time. Each sample has its own pitch control and trigger input.