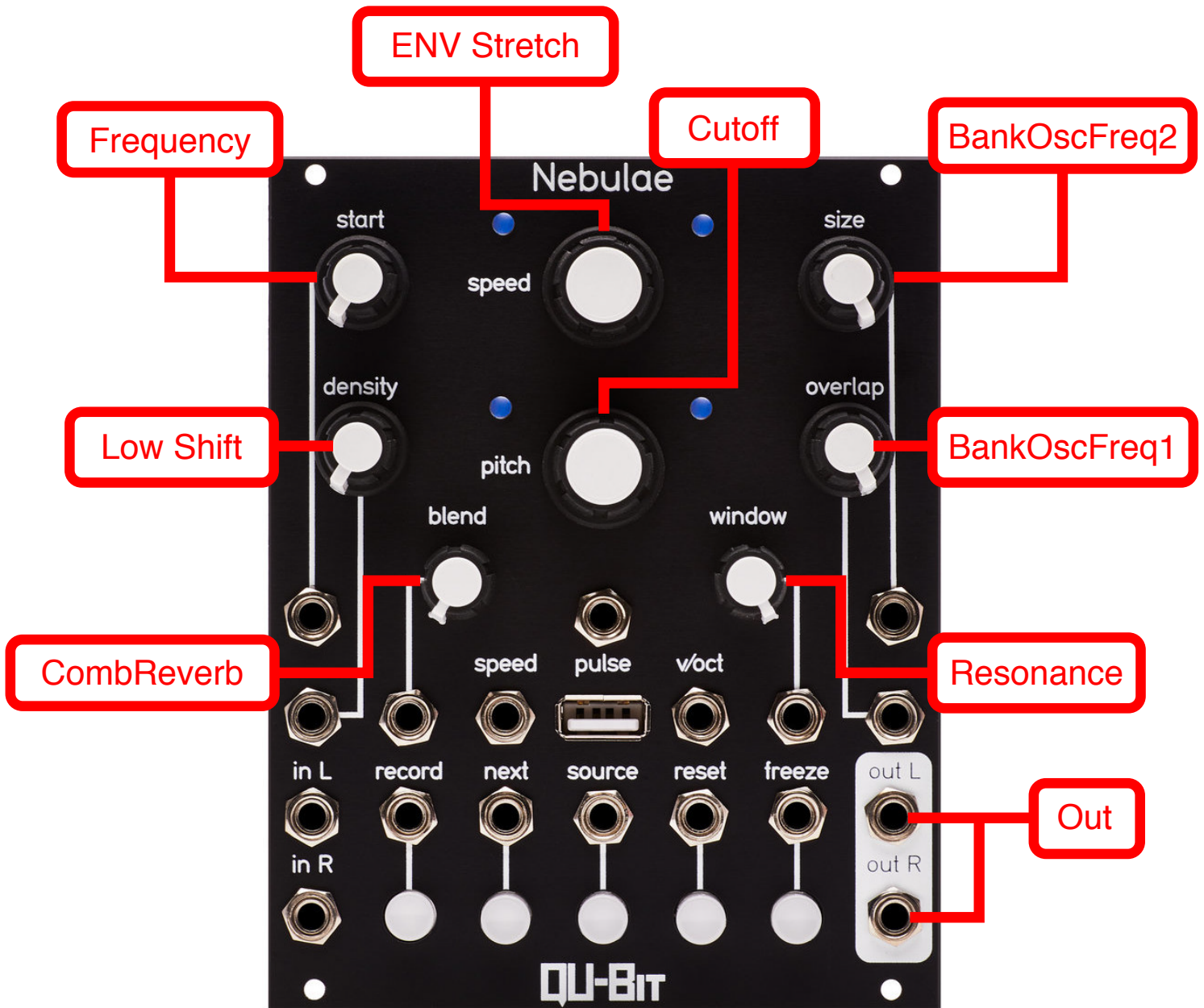


Comb Warp

Spectrally warped comb filtered oscillator
For QuBit Nebulae v.2 - By Christopher Konopka



Comb Warp uses a bank of control oscillators which alter the frequency of a second bank of oscillators. The second bank is then filtered into the combinv opcode which reverberates an input signal with a “colored” frequency response and “FIR filter”. This reverberated signal is then analyzed and the envelope of the signal is spectrally warped. Ported from Neb v.1 by Chris Erin.